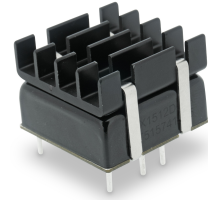
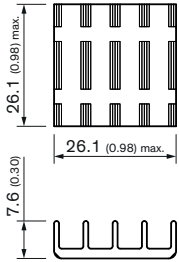


<b>Order Code</b>	<b>THN-HS2</b>
<b>Compatible with</b>	THN 10WIR, THN 10UIR, THN 15N, THN 15WIR, THN 15UIR, THN 20WIR, THN 30WIR
<b>Thermal Impedance</b>	Please refer to converter datasheets
<b>Package Content</b>	Heatsink, thermal pad and 2 clamps
<b>Material</b>	AL 6063
<b>Surface Finish</b>	Anodized (black)
<b>Weight</b>	4.53 g (without converter)
<b>RoHS Exemptions</b>	No Exemptions
<b>Overview Link</b>	<a href="http://www.tracopower.com/overview/thn-hs2">www.tracopower.com/overview/thn-hs2</a>



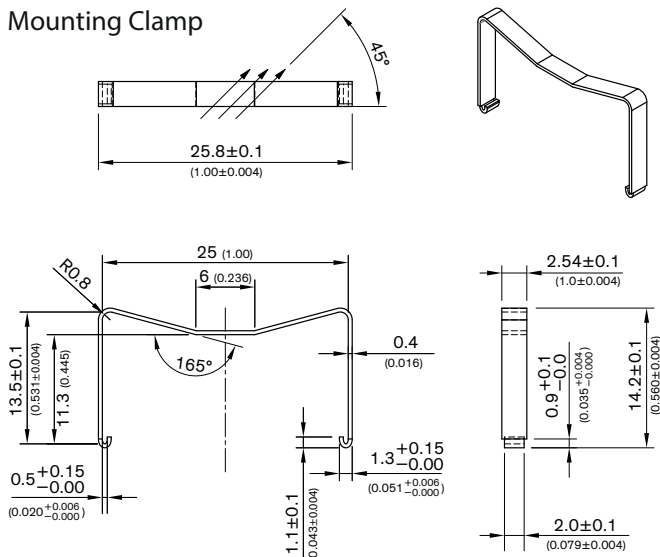
### Outline Dimensions

#### Heat Sink



All dimensions in mm (inch)  
 Tolerance: x.x ±0.5 (x.xx ±0.02)  
 x.xx ±0.25 (x.xxx ±0.010)

#### Mounting Clamp



All dimensions in mm (inch)